

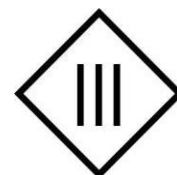
ACTIVESHOP[®]

INSTRUCTIONS FOR USE

Electric cosmetic chair Sillon Classic 3 motors with cradle



Importer:
ACTIVESHOP Ltd.
Ul. Graniczna 8B, building
DC2A 54-610 Wrocław,
Poland
www.activeshop.com.pl
Rev. A/04/2024



***BEFORE USING THE PRODUCT, PLEASE READ THE INSTRUCTION MANUAL*.**

This manual contains detailed information on the operation and maintenance of the device. Before using the device, read the contents of the accompanying manual. Use the device as described. Keep this manual and make sure that all persons who may use the device are familiar with it.

Sillon electric cosmetic chair is a professional equipment that will be great for any beauty salon. Ideal application for massages, cosmetic and podiatric treatments, as well as physiotherapy. The chair is designed to provide complete comfort during the treatment. The chair consists of four parts and a removable cushion. On both sides of the seat are handles on which you can hang the control remote control so that it is always at hand.

Product load: 150kg

The maximum load capacity of the chair body is 150kg. Do not lift more than the given weight that the chair can support.

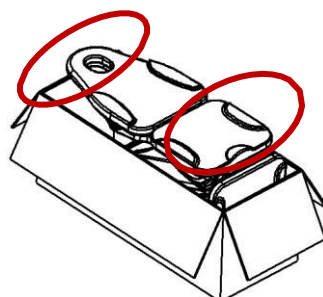
Do not jump on the backrest and do not put a lot of pressure on the armrests to prevent damage to the product.

Max 40 kg Max 150 kg Max 40 kg



Note

Cardboard and outer cartons are used for packaging, with a total of 10 layers of paper to ensure the protection of your products. We recommend keeping the original packaging for future use, especially for returns during the warranty period. For safety reasons, two people are needed to lift the chair out of the carton. When lifting, stand on both sides of the chair's headrest and footrest. Remember, the chair can only be lifted from the headrest and footrest positions, not from either side of the armrests.



Before using the chair, check that the package is intact and has not been damaged during transportation. If there is any problem, please notify the transportation company or after-sales personnel within 2 days of receiving the unit. Make sure all accessories are complete at the time of delivery. If you find accessories missing at the time of delivery, please contact the after-sales staff in time.

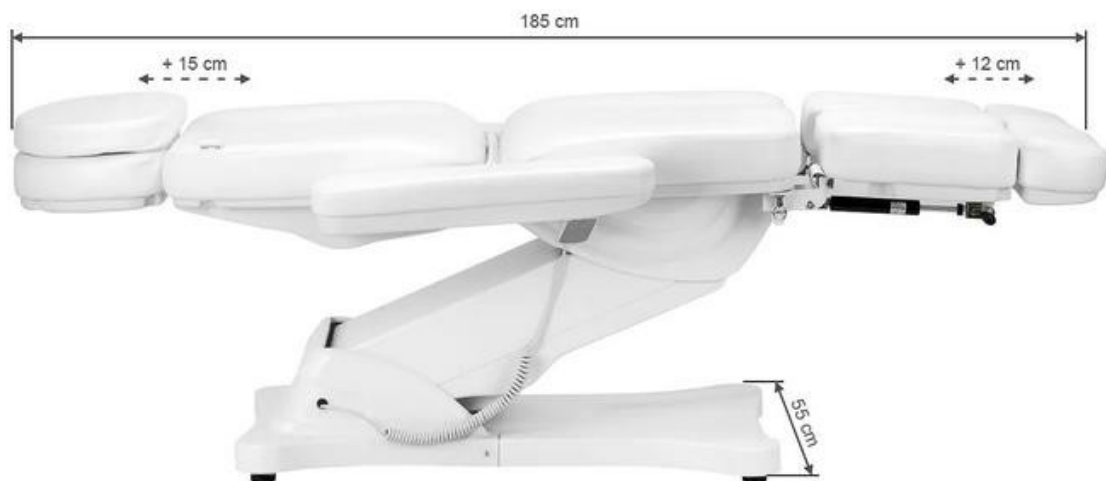
The electric cosmetic chair must be used in closed, dry rooms. The temperature in the room should be between + 10 ° and -40 °, and the relative humidity between 30% and 75%. If the electric cosmetic chair has been exposed to temperatures below 0 °, wait at least 5 hours before using it so that the device has time to reach room temperature.

Before using the electric cosmetic chair, read the instructions and perform the following steps:

1. Make sure all packaging materials are removed.
2. Make sure the seat is in working order.
3. Place the chair where it will be used.
4. Plug the power plug into a suitable outlet.

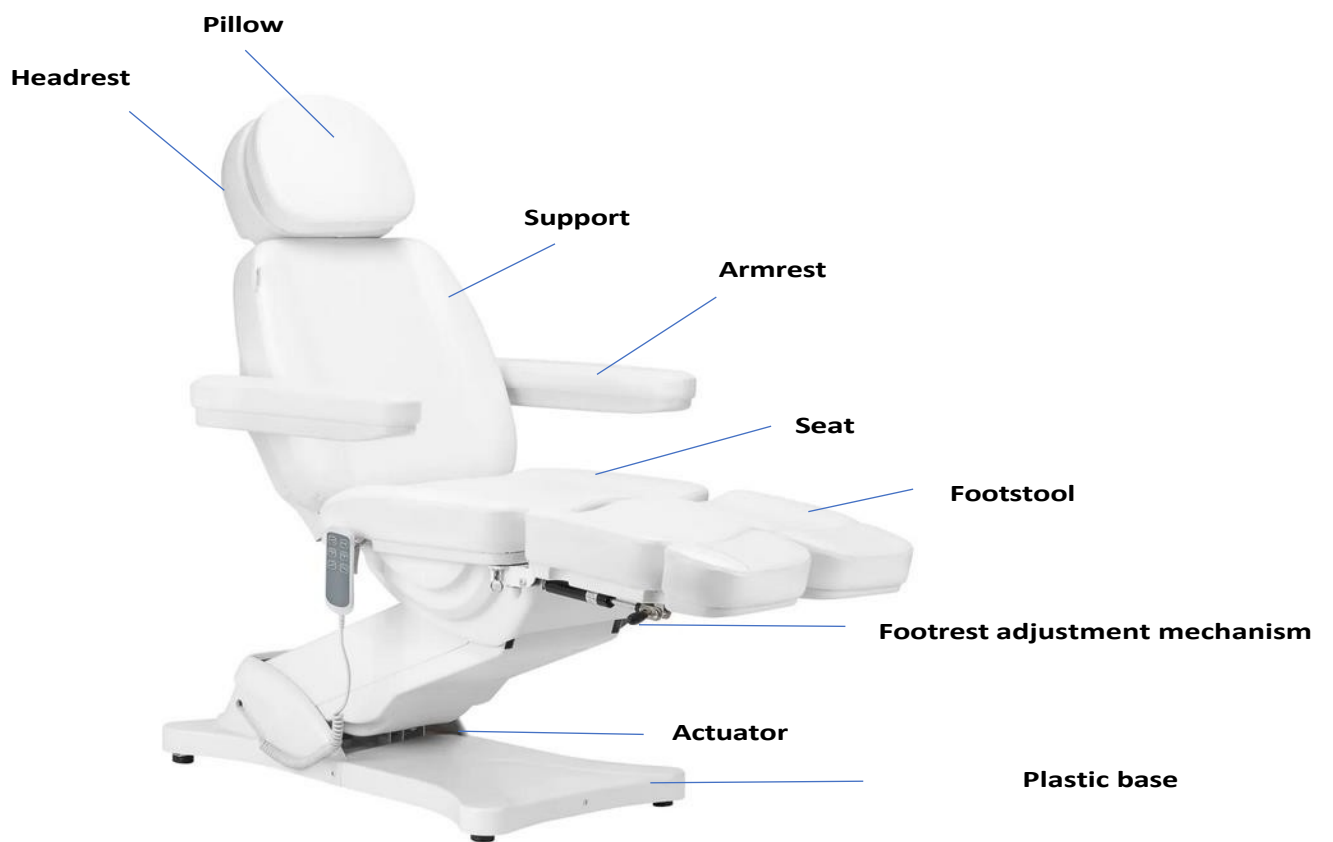
Tip! Children and inexperienced people must not use this device. Children must be supervised and must not play near the electric cosmetic chair. For safety reasons, unplug the device and do not leave it unattended. Also unplug the power cord.

Dimensions of the device:





Construction of the device:



Warning

1. The footrest is not designed to support the full weight of an adult.
2. Do not sit directly on the armrest and footrest.
3. Do not lift more weight than the chair can handle.
4. Make sure that the distance between the sockets does not exceed 2 meters.

Note

1. For safety reasons, always plug the power cord into a grounded outlet.
2. Do not tie the power cord to the unit. Lifting or pulling the power cord may damage it. Make sure that the power cord can be easily removed in an emergency.
3. Before moving the electric cosmetic chair, remove the power cord so that it does not get stuck between some parts of the chair.
4. If the power cord is damaged, immediately disconnect the cord, do not use the chair and contact an authorized service center. Use only the original power cord.
5. Do not let a person who does not perform the procedure control the control remote control.
6. Do not place any objects under the seat.
7. Make sure there is enough free space around the chair so that it can be folded and unfolded freely.
8. Make sure there are no sharp or harmful objects around the seat that could damage the device.
9. Do not modify the device yourself. If the chair does not work properly, stop using it and contact an authorized service center.

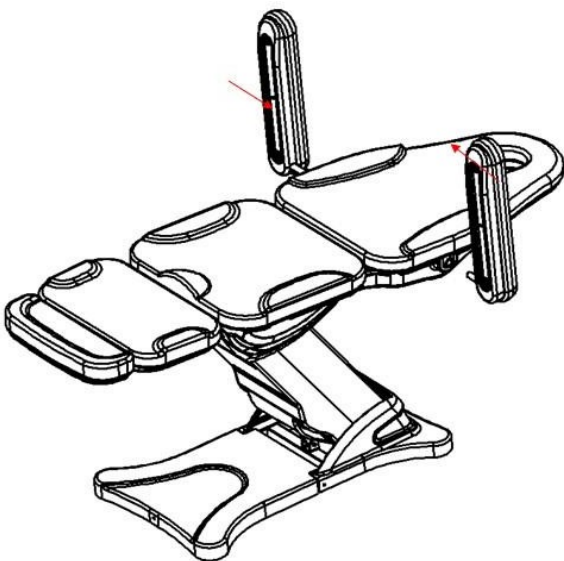
Use of the device:

1. Connect the power cord to an external 110V~240V power supply.

How to install the armrest:

The seat must be in a horizontal position to mount the armrests to it. Slide the armrest into the hole located on the side of the backrest. The armrest should be firmly attached. Twist it to the right or left so that it goes into place properly. Do the same with the other armrest.

The armrest is perpendicular to the ground (regardless of the angle of the seat). It can be rotated 180°.



2. Manual control function (lifting height: the bed is 58 ~ 82 cm from the ground)



A B



3. Manual control function (back lift angle 0-80 °, leg lift angle 0-90 °)

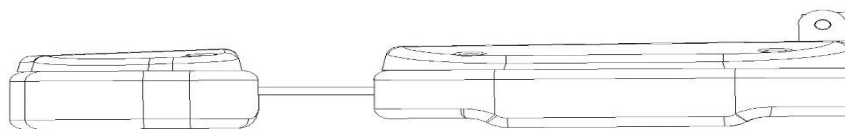


C D



4. Retractable footrest function (footrest, length: 0 ~ 12 cm)

0 ~ 12cm



Each of the footrests is separately adjustable, allowing independent arrangement of leg positions. The angles at which the footrest is located are manually adjustable. The mechanism with which the footrest is equipped also allows you to tilt the footrest from side to side. This makes the chair ideal for podiatric treatments.



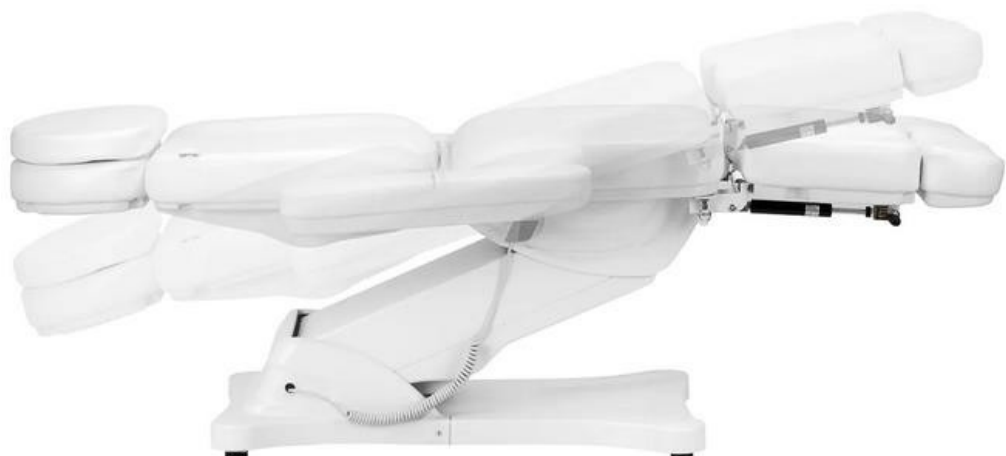
Mechanism for tilting the footrest sideways

Footrest raising/lowering lever

To raise the footrest, pull upward on the lever handle, thereby lifting the footrest upward.

To tilt the footrest to the side, pull down on the wheel at the tilt mechanism, thereby tilting the footrest to the side.

5. Cradle function (the seat of the chair can be angled - the so-called cradle. When the backrest is lowered and the footrest is raised, a flat surface is created.



Cleaning and disinfection of the device:

- Disconnect the device from the power supply before cleaning.
- To keep the chair's surface in good condition, clean it regularly. Remember to clean and disinfect the chair after each use. It is recommended to perform a thorough disinfection once a month.

I Metal and plastic surfaces

- To clean metal and plastic surfaces and controls wipe them with a damp cloth. To clean hard-to-reach areas or corners, a small brush will work well. Do not use too much liquid to clean the device. Then disinfect the device with a suitable liquid.

II Stainless steel surfaces

- Cleaning with a mild detergent solution will work best. Ammonia and most solvents can be used to remove tough stains. Avoid chlorine-based solutions.

III Painted or chrome-plated metal surfaces

- Do not use water jets (showers, high-pressure water cannons) for cleaning.
- Do not clean in high temperature and high humidity, do not expose the device to conditions that may lead to liquid contamination.
- Do not use solvents and acids for cleaning.

IV Seat surface

- Wipe the surface of the seat evenly with a special leather cleaner, then wipe it with a clean, soft cloth.

Maintenance

Unplug the device before maintenance.

(1) Repairs should be performed by experienced and manufacturer-authorized personnel. (2) Repairs by unauthorized personnel may cause injury or damage to the device, for which the manufacturer is not responsible.

3. Use only original spare parts approved by the manufacturer.

4. Do not use the electric beauty chair or accessories if they are not working properly.

5. All maintenance and repair activities must be documented.

Livelihoods

Check the controls and their wiring once a week. Check the condition and function, of the following items at least once every six months:

1. Power cord and its attachment
2. Engine wiring
3. Control box and its wiring
4. Are the accessories attached
5. Normal operation of the locking system

If you find any defects, stop using the equipment and contact an authorized service center. Only experienced or authorized personnel can open or replace the actuator / control unit.

If any part of the device is damaged, unplug the power cord and stop using it. Then notify the service center.

Troubleshooting

Problem	Solution methods
Manual control does not respond	Check that the interface connecting the manual control line is loose (Check for the PCB problem) remember to mark the original position of the plug.
Engine unresponsive	Switch the position of the motor plug

To replace the control box and order other spare parts, contact the service department, describe the problem before contacting:

1. Model
2. Date of purchase

SECURITY MEASURES

1. The device is a professional equipment for use in beauty parlors. Operation of the device only by qualified cosmetic personnel allows you to avoid undesirable consequences during the treatment.
2. Do not disassemble the device or attempt to use it for purposes other than those indicated in this manual. Any service and repair work must be performed only by an authorized service technician (ACTIVESHOP Ltd.).
3. Do not install or operate the device near liquids, wet areas or with wet hands - so that no liquids get into the device.
4. Immediately remove the plug from the outlet and contact the authorized service provided by ACTIVESHOP Ltd. in the following cases:
 - a) liquid has entered the device, b) the device emits a strange odor, smoke or makes strange sounds, c) the power cord has been damaged, d) the device has been knocked over or its housing has been damaged.
5. Do not put any objects on the cables. Do not install the unit where someone may step on the power cord.
6. For safety purposes, unplug the power cord from the outlet each time you finish working with the device.
7. Do not insert anything into the opening of the device. If a foreign object gets into the hole, remove the cord from the outlet and contact the distributor or manufacturer.
8. Do not place the device on an unstable cart, shelf or vehicle. If dropped, the device may be damaged.
9. In order to guarantee the established useful life of the device, it is recommended to keep an interval of one minute before pressing the power button again (between switching on and off and vice versa).
10. The power supply must comply with the specifications on the nameplate. Otherwise there is a risk of incorrect operation of the device its damage or even burning.

CAUTION:

1. In the event of damage to the power cord or other malfunctions, contact the authorized service - this will help to avoid danger.
2. This device can be used by children at least 8 years of age and by people with reduced physical and mental capabilities and those with inexperience and lack of knowledge

equipment if supervision or instruction is provided on how to use the equipment in a safe manner so that the associated risks are understood.

3. The device is not intended for play by children. Do not allow children to play with the device.
4. Do not leave the device unattended when children or persons without sufficient knowledge of how to use the device are in the vicinity.
5. This electrical appliance is not a toy. Improper use or contact with the electrical appliance may pose a health risk or lead to death, so use and store the appliance out of the reach of children.

DISPOSAL OF THE DEVICE



Dispose of used electrical appliances, fixtures and packaging to raw material reprocessing centers in accordance with environmental protection principles. Do not dispose of electrical appliances in household waste containers. Follow the rules for

Discarding this type of equipment. In order to protect the environment

According to Directive 2012/19/EC on waste electrical and electronic equipment, waste electrical equipment should be collected separately, and then handed over to collection points for waste electronic and electrical equipment. At the end of their useful life, as well as old appliances contain full-value recyclable components, so they should be handed over for reprocessing. Therefore, they should be handed over to appropriate collection points, as well as they can also be handed over to ACTIVESHOP Ltd.

STORAGE AND TRANSPORT

The device should be transported at a temperature in the range of (-) 20 °C to (+) 50 °C only in its original packaging. Store the device in a well-ventilated and relative humidity of no more than 75%. Operating temperature from (+) 10 °C to (+) 40 °C. During storage and transportation processes, the device must not be thrown or dropped, exposed to mechanical shocks or atmospheric agents.